

DOOR & WINDOW
FITTINGS



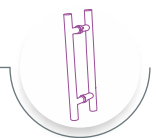
MORTISE LOCKS
& HANDLES

DRAWER SLIDES
& HINGES



DOOR CONTROL
DEVICES

GLASS ARCHITECTURAL
HARDWARE



DOOR HANDLES

Dealer's Price List w.e.f February 2024

INTRODUCTION

Introducing Timeless Elegance in Every Detail

Welcome to Twits Hardware Corporation, where craftsmanship meets innovation in the world of wooden door hardware. As pioneers in the industry, we take pride in presenting our latest price list, showcasing not only our diverse range of high-quality products but also introducing six exquisite finishes that redefine sophistication

Explore the Beauty of Silky Matt:

Immerse yourself in the allure of our Silky Matt finish – a harmonious blend of timeless elegance and modern aesthetics. This finish not only enhances the visual appeal of our door hardware but also ensures durability that withstands the test of time.

Embrace the Richness of Brass Antique Matt/Gloss:

Our Brass Antique finish exuded a vintage charm, bringing a touch of classic opulence to your doors. Whether you prefer the subdued warmth of the matte variant or the dazzling allure of the gloss, our Brass Antique options redefine luxury.

Dive into the Boldness of Black Matt:

Make a statement with our Black Matt finish – a bold choice that adds a contemporary edge to your wooden doors. The sleek, matte surface not only captivates the eye but also complements a variety of design styles.

Experience the Modern Elegance of Graphite:

Unveil the modern elegance of Graphite, a finish that seamlessly integrates with contemporary interiors. Its sophisticated appeal and versatile nature make it a perfect choice for those seeking a balance between style and functionality.

Indulge in the Opulence of Rose Gold and Gold:

Elevate your space with the luxurious touch of Rose Gold or Gold finishes. These opulent choices bring a sense of grandeur to your doors, creating an ambiance of sophistication and refinement.

At Twits Hardware corporation, we understand that every detail matters. Our commitment to quality craftsmanship and innovative design is reflected in every product we offer. With the introduction of these six new finishes, we invite you to reimagine your spaces and create doorways that leave a lasting impression.

Thank you for choosing Twazo . Elevate your doors, elevate your spaces.





INDEX

Door & Window Fittings

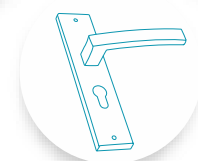
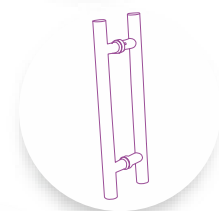
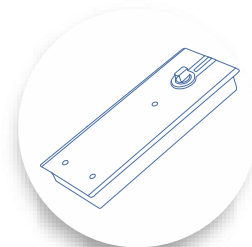
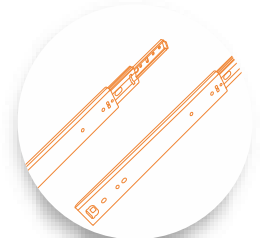
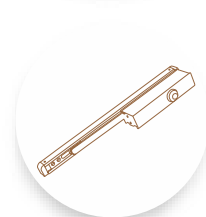
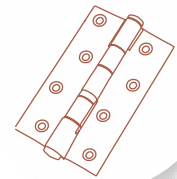
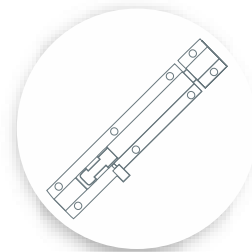
Hinges & Door Fittings (7 Finish)	02-05
Hinges	06-09
Tower Bolt	10-12
Al-Drops & Door Kit	13-14
Latches	15
Handles	16-17
Door Stopper & Accessories	18-19
Mortise Handles & Lock Body	20-26
Door Closer	27-28
Door Sliding Fittings	29

Furniture Fittings

Drawer Channels	30-32
Cabinet Hinges	33-34
Drawer Box	35
Lift-Up Pump	36
Wardrobe Sliding Fittings	37

Glass Architectural Hardware

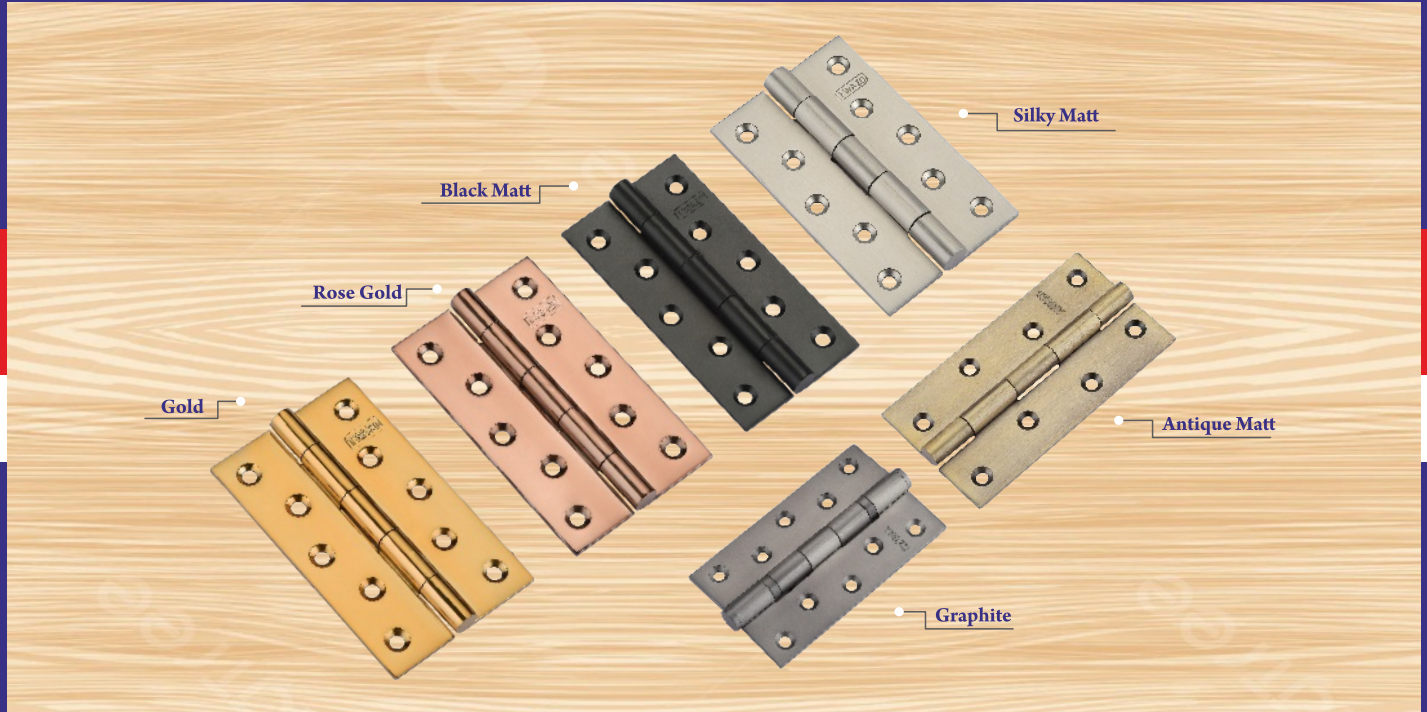
Floor Spring	38-39
Combo Patch Set	40
Patch Fittings	41
Shower Hinges & Fittings	42-46
Plastic Profiles	47
Glass Locks	48
Door Handles & Friction Stay	49-50





DOOR
&
WINDOW
FITTINGS

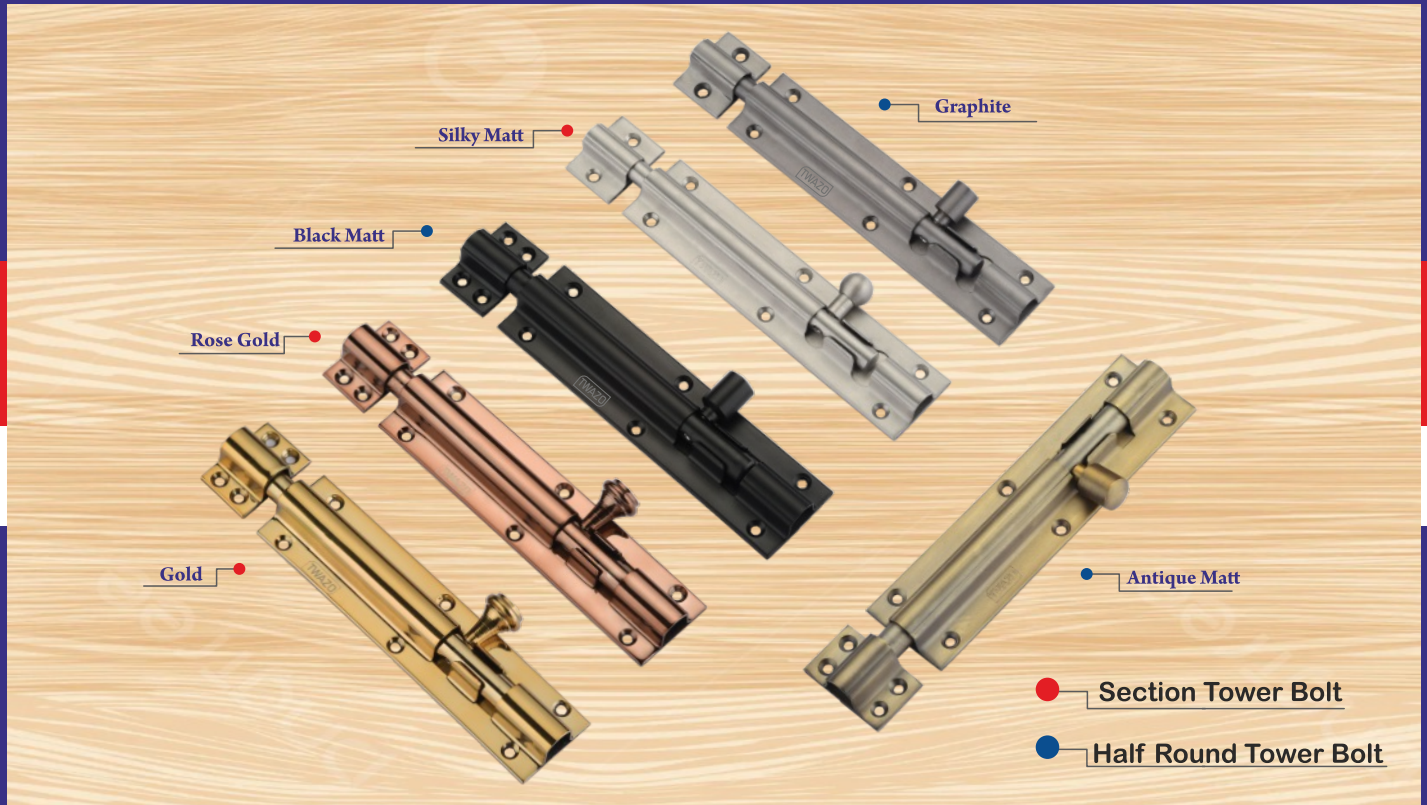




HINGES

Size	Pcs/Case	SILKY MATT	ANTIUE MATT/GLOSSY BLACK MATT	GRAPHITE	GOLD/ ROSE GOLD
3"x1.8mm (3x15)	480	60	65	75	120
4"x1.9mm (4x14)	240	102	117	137	204
5"x1.9mm (5x14)	240	138	151	171	250
3"x1"x2.5mm (3x12)	360	90	104	124	180
4"x1"x2.5mm (4x12)	240	138	151	163	245
5"x1"x2.5mm (5x12)	240	162	182	202	280
6"x1"x2.5mm (6x12)	160	240	255	275	380
4"x1"x3mm	160	180	190	210	280
5"x1"x3mm	160	225	235	255	340
4"x1.25"x3mm	160	225	235	255	340
5"x1.25"x3mm	160	260	270	290	400
6"x1.25"x3mm	120	300	310	330	510
5"x1.5"x3mm	120	340	350	370	510
6"x1.5"x3mm	120	410	420	440	610
8"x1.5"x3mm	80	540	550	570	810
6"x2"x3mm	80	595	605	625	795
5"x1.25"x4mm	80	430	440	460	600
4"x3"x3mm (2Bearings)	160	290	300	320	440
5"x3"x3mm (2Bearings)	120	340	350	370	520
FLUSH HINGE 4"x3"x2.5mm (2BB)	160	250	270	290	340
FLUSH HINGE 5"x3"x3mm (2BB)	120	310	340	360	430





SECTION HALF ROUND (12mm)

Size	Pcs/Case	SILKY MATT	ANTIUE MATT/GLOSSY BLACK MATT	GRAPHITE	GOLD/ ROSE GOLD
4"x12mm	240	232	240	272	312
6"x12mm	180	300	312	360	420
8"x12mm	120	400	416	480	560
12"x12mm	120	600	624	720	840
18"x12mm	60	900	936	1080	1260
24"x12mm	60	1200	1248	1440	1680

SECTION HALF ROUND (10mm)

Size	Pcs/Case	SILKY MATT	ANTIUE MATT/GLOSSY BLACK MATT	GRAPHITE	GOLD/ ROSE GOLD
4"x10mm	240	192	200	232	272
6"x10mm	180	240	252	300	360
8"x10mm	120	320	336	400	480
12"x10mm	120	480	504	600	720
18"x10mm	60	720	756	900	1080





HALF ROUND TOWER BOLT (12mm)

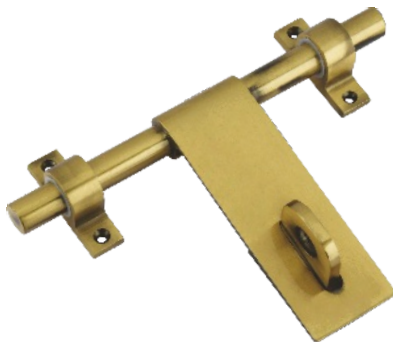
Size	Pcs. / Case	SILKY MATT	ANTIUE MATT/GLOSSY BLACK MATT	GRAPHITE	GOLD/ ROSE GOLD
4"x12mm	240	200	208	240	280
6"x12mm	180	252	264	312	372
8"x12mm	120	336	352	416	496
12"x12mm	120	504	528	624	744
18"x12mm	60	756	792	936	1116
24"x12mm	60	1008	1056	1248	1488

Also Available in 36"



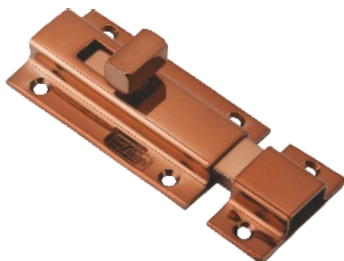
HALF ROUND TOWER BOLT (10mm)

Size	Pcs. / Case	SILKY MATT	ANTIUE MATT/GLOSSY BLACK MATT	GRAPHITE	GOLD/ ROSE GOLD
4"x10mm	240	166	174	206	246
6"x10mm	180	201	213	261	321
8"x10mm	120	268	284	348	428
12"x10mm	120	402	426	522	642
18"x10mm	60	603	639	783	963



SOLID STRAIGHT AL-DROP (16mm)

Size	Pcs. / Case	SILKY MATT	ANTIUE MATT/GLOSSY BLACK MATT	GRAPHITE	GOLD/ ROSE GOLD
8" (2+1)	40	710	810	860	970
10" (3+1)	40	815	935	995	1115
12" (3+1)	40	860	980	1040	1160



DUSTER BABY LATCH

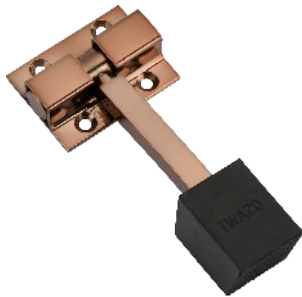
Size	Pcs. / Case	SILKY MATT	ANTIUE MATT/GLOSSY BLACK MATT	GRAPHITE	GOLD/ ROSE GOLD
3"	120	240	270	280	380



A-ONE HANDLE					
Size	Pcs. / Case	SILKY MATT	ANTIUE MATT/GLOSSY BLACK MATT	GRAPHITE	GOLD/ ROSE GOLD
5"x3mm	240	94	98	140	160
6"x3mm	240	104	108	150	170



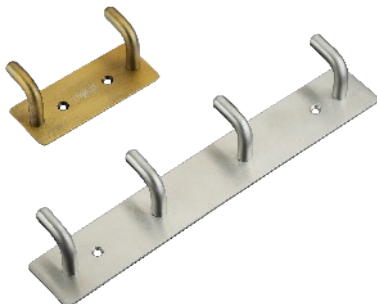
B-TWO HANDLE					
Size	Pcs. / Case	SILKY MATT	ANTIUE MATT/GLOSSY BLACK MATT	GRAPHITE	GOLD/ ROSE GOLD
5"x4mm	240	115	120	170	185
6"x4mm	240	142	148	190	205
8"x4mm	120	182	190	250	280



SLEEK DOOR STOPPER					
Size	Pcs. / Case	SILKY MATT	ANTIUE MATT/GLOSSY BLACK MATT	GRAPHITE	GOLD/ ROSE GOLD
4"x10mm	200	170	170	190	240



BELL MAGNET					
Size	Pcs. / Case	SILKY MATT	ANTIUE MATT/GLOSSY BLACK MATT	GRAPHITE	GOLD/ ROSE GOLD
3"	100	210	230	250	280



ROBE HOOK				
Size	Pcs. / Case	SS	ANTIUE MATT/GLOSSY BLACK MATT	GRAPHITE
2 Pin	60	160	180	200
4 Pin	60	320	360	380
6 Pin	48	480	540	580
8 Pin	48	640	720	760



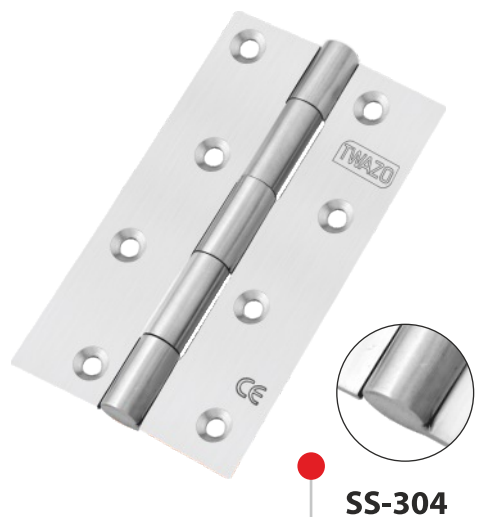


Code	Size	Pcs./Box	Box/Case	Pcs./Case	Price/Pc.
THG4334BS	4"x3"x3mm	20	8	160	325.00
THG5334BS	5"x3"x3mm	10	12	120	390.00
THG6334BS	6"x3"x3mm	10	12	120	455.00



DOUBLE BALL BEARING HINGES SS.304

Code	Size	Pcs./Box	Box/Case	Pcs./Case	Price/Pc.
THG3252BS	3"x2.5"x2.5mm	20	12	240	185.00
THG4252BS	4"x3"x2.5mm	20	8	160	260.00
THG5252BS	5"x3"x2.5mm	10	12	120	300.00
THG4332BS	4"x3"x3mm	20	8	160	290.00
THG5332BS	5"x3"x3mm	10	12	120	340.00



SUPREME HEAVY BUTT HINGES SS.304

Code	Size	Pcs./Box	Box/Case	Pcs./Case	Price/Pc.
THG315S	3"x1.8mm	30	16	480	78.00
THG312S	3"x1"x2.5mm	30	12	360	117.00
THG412S	4"x1"x2.5mm	20	12	240	170.00
THG512S	5"x1"x2.5mm	10	24	240	220.00
THG410S	4"x1.25"x3mm	20	8	160	260.00
THG510S	5"x1.25"x3mm	10	12	120	325.00
THG610S	6"x1.25"x3mm	10	12	120	390.00





FOUR BALL BEARING HINGES

Code	Size	Pcs./Box	Box/Case	Pcs./Case	Price/Pc.
THG4334B	4"x3"x3mm	20	8	160	230.00
THG5334B	5"x3"x3mm	10	12	120	260.00
THG6334B	6"x3"x3mm	10	12	120	300.00



DOUBLE BALL BEARING HINGES

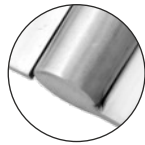
Code	Size	Pcs./Box	Box/Case	Pcs./Case	Price/Pc.
THG3252B	3"x2.5"x2.5mm	20	12	240	145.00
THG4252B	4"x3"x2.5mm	20	8	160	185.00
THG5252B	5"x3"x2.5mm	10	12	120	220.00
THG4332B	4"x3"x3mm	20	8	160	215.00
THG5332B	5"x3"x3mm	10	12	120	250.00
THG5352B	5"x3.5"x3mm	10	12	120	364.00



FLUSH HINGES (DOUBLE BALL BEARING HINGES)

Code	Size	Pcs./Box	Box/Case	Pcs./Case	Price/Pc.
TFHG43	4"x3"x2.5"mm	20	8	160	160.00
TFHG53	5"x3"x3"mm	10	12	120	210.00





BUTT HINGES (WELDED)

Code	Size	Pcs./Box	Box/Case	Pcs./Case	Price/Pc.
THG315W	3"x1.8mm (3x15)	30	16	480	43.00
THG414W	4"x1.9mm (4x14)	20	12	240	85.00
THG514W	5"x1.9mm (5x14)	10	24	240	111.00
THG312W	3"x1"x2.5mm (3x12)	30	12	360	80.00
THG412W	4"x1"x2.5mm (4x12)	20	12	240	111.00
THG512W	5"x1"x2.5mm (5x12)	10	24	240	133.00
THG612W	6"x1"x2.5mm (6x12)	10	16	160	182.00

RAILWAY/GRANITE HINGES (WELDED)

Code	Size	Pcs./Box	Box/Case	Pcs./Case	Price/Pc.
THG312RW	3"x1"x2.5mm	30	12	360	80.00
THG412RW	4"x1"x2.5mm	20	12	240	111.00
THG512RW	5"x1"x2.5mm	10	24	240	133.00
THG612RW	6"x1"x2.5mm	10	16	160	182.00
THG410W	4"x1"x3mm	20	8	160	150.00
THG510W	5"x1"x3mm	10	16	160	175.00
THG4125W	4"x1.25"x3mm	20	8	160	170.00
THG5125W	5"x1.25"x3mm	10	16	160	208.00
THG6125W	6"x1.25"x3mm	10	12	120	247.00
THG515W	5"x1.50"x3mm	10	12	120	260.00
THG615W	6"x1.50"x3mm	10	12	120	300.00
THG815W	8"x1.50"x3mm	8	10	80	415.00
THG620W	6"x2"x3mm	10	8	80	485.00
THG51254W	5"x1.25"x4mm	10	8	80	350.00

"L" HINGES WELDED LOCKING

Code	Size	Pcs./Box	Box/Case	Pcs./Case	Price/Pc.
TLHG1306	75x(13x6)x1.7mm	20	16	320	72.00
TLHG1313	75x(13x13)x1.7mm	20	16	320	75.00
TLHG1319	75x(13x19)x1.7mm	20	16	320	78.00

WELDED NARROW & CUT HINGES

Code	Size	Pcs./Box	Box/Case	Pcs./Case	Price/Pc.
THG751913W	75x19x13mm	45	16	720	40.00
THG1001913W	100x19x13mm	30	12	360	55.00
THG751919W	75x19x19mm	45	12	540	42.00
THG1001919W	100x19x19mm	30	12	360	63.00
THG752525W	75x25x25mm	30	16	480	62.00
THG751510W	75x15x10mm	60	16	960	37.00
THG752710W	75x27x10mm	45	12	540	44.00
THG1002222W	100x22x22mm	30	12	360	75.00



RIVETED BUTT HINGES (HEAVY)

Code	Size	Pcs./Box	Box/Case	Pcs./Case	Price/Pc.
THG315	3"x1.8mm (3x15)	30	16	480	40.00
THG414	4"x1.9mm (4x14)	20	12	240	70.00
THG514	5"x1.9mm (5x14)	10	24	240	94.00
THG312	3"x1"x2.5mm (3x12)	30	12	360	65.00
THG412	4"x1"x2.5mm (4x12)	20	12	240	95.00
THG512	5"x1"x2.5mm (5x12)	10	24	240	125.00
THG612	6"x1"x2.5mm (6x12)	10	16	160	160.00

NARROW & CUT FURNITURE HINGES

Code	Size	Pcs./Box	Box/Case	Pcs./Case	Price/Pc.
THG751510	75x15x10mm	60	16	960	32.00
THG751913	75x19x13mm	45	16	720	35.00
THG1001913	100x19x13mm	30	12	360	50.00
THG751919	75x19x19mm	45	12	540	38.00
THG1001919	100x19x19mm	30	12	360	55.00
THG751325	75x13x25mm	45	12	540	42.00
THG1001325	100x13x25mm	30	12	360	54.00
THG751925	75x19x25mm	45	12	540	44.00
THG1001925	100x19x25mm	30	12	360	62.00
THG752710	75x27x10mm	45	12	540	40.00
THG602710	60x27x10mm	45	16	720	34.00
THG752525	75x25x25mm	30	16	480	52.00

Flap thickness 1.70mm



PARLIAMENT MOON TYPE HINGES

Code	Size	Pcs./Box	Box/Case	Pcs./Case	Price/Pc.
TPHG43	4"x3"x3mm	10	12	120	260.00
TPHG44	4"x4"x3mm	10	12	120	286.00
TPHG45	4"x5"x3mm	10	12	120	338.00
TPHG46	4"x6"x3mm	10	12	120	390.00

Also Available in Antique Finish.





SECTION HALF ROUND TOWER BOLT (12mm ROD)

Code	Size	Pcs./Box	Box/Case	Pcs./Case	Price/Pc.
TTB1412	4"	12	20	240	167.00
TTB1612	6"	6	30	180	250.00
TTB1812	8"	6	20	120	333.00
TTB11012	10"	6	20	120	416.00
TTB11212	12"	6	20	120	500.00
TTB11812	18"	6	10	60	749.00

Also Available in 24"

SECTION HALF ROUND TOWER BOLT (10mm ROD)

Code	Size	Pcs./Box	Box/Case	Pcs./Case	Price/Pc.
TTB1410	4"	12	20	240	130.00
TTB1610	6"	6	30	180	195.00
TTB1810	8"	6	20	120	260.00
TTB11010	10"	6	20	120	325.00
TTB11210	12"	6	20	120	390.00
TTB11810	18"	6	10	60	585.00

SLEEK TOWER BOLT 2-IN-1 (12mm ROD)

Code	Size	Pcs./Box	Box/Case	Pcs./Case	Price/Pc.
TTB2412	4"	12	20	240	156.00
TTB2612	6"	6	30	180	235.00
TTB2812	8"	6	20	120	312.00
TTB21012	10"	6	20	120	390.00
TTB21212	12"	6	20	120	468.00
TTB21812	18"	6	10	60	632.00



SLEEK TOWER BOLT 2-IN-1 (10mm ROD)

Code	Size	Pcs./Box	Box/Case	Pcs./Case	Price/Pc.
TTB2410	4"	12	20	240	104.00
TTB2610	6"	6	30	180	156.00
TTB2810	8"	6	20	120	208.00
TTB21010	10"	6	20	120	260.00
TTB21210	12"	6	20	120	312.00
TTB21810	18"	6	10	60	468.00



HALF SQUARE TOWER BOLT (12mm ROD)

Code	Size	Pcs./Box	Box/Case	Pcs./Case	Price/Pc.
TTB3412	4"	12	20	240	128.00
TTB3612	6"	6	30	180	192.00
TTB3812	8"	6	20	120	256.00
TTB31012	10"	6	20	120	325.00
TTB31212	12"	6	20	120	384.00
TTB31812	18"	6	10	60	585.00

Also Available in 24" & 36"

HALF SQUARE TOWER BOLT (10mm ROD)

Code	Size	Pcs./Box	Box/Case	Pcs./Case	Price/Pc.
TTB3410	4"	12	20	240	99.00
TTB3610	6"	6	30	180	148.00
TTB3810	8"	6	20	120	200.00
TTB31010	10"	6	20	120	250.00
TTB31210	12"	6	20	120	300.00
TTB31810	18"	6	10	60	450.00

HALF ROUND TOWER BOLT (12mm ROD)

Code	Size	Pcs./Box	Box/Case	Pcs./Case	Price/Pc.
TTB4412	4"	12	20	240	132.00
TTB4612	6"	6	30	180	198.00
TTB4812	8"	6	20	120	264.00
TTB41012	10"	6	20	120	330.00
TTB41212	12"	6	20	120	396.00
TTB41812	18"	6	10	60	594.00

Also Available in 24" & 36"



HALF ROUND TOWER BOLT (10mm ROD)

Code	Size	Pcs./Box	Box/Case	Pcs./Case	Price/Pc.
TTB4410	4"	12	20	240	104.00
TTB4610	6"	6	30	180	156.00
TTB4810	8"	6	20	120	208.00
TTB41010	10"	6	20	120	260.00
TTB41210	12"	6	20	120	315.00
TTB41810	18"	6	10	60	468.00





HALF ROUND TOWER BOLT SINGLE ROD (12mm)

Code	Size	Pcs./Box	Box/Case	Pcs./Case	Price/Pc.
TTB5412	4"	12	20	240	116.00
TTB5612	6"	6	30	180	174.00
TTB5812	8"	6	20	120	232.00
TTB51012	10"	6	20	120	285.00
TTB51212	12"	6	20	120	344.00
TTB51812	18"	6	10	60	522.00



HALF ROUND TOWER BOLT SINGLE ROD (10mm)

Code	Size	Pcs./Box	Box/Case	Pcs./Case	Price/Pc.
TTB5310	3"	12	20	240	72.00
TTB5410	4"	12	20	240	80.00
TTB5610	6"	6	30	180	120.00
TTB5810	8"	6	20	120	160.00
TTB51010	10"	6	20	120	200.00
TTB51210	12"	6	20	120	240.00

L-TOWER BOLT (10mm)

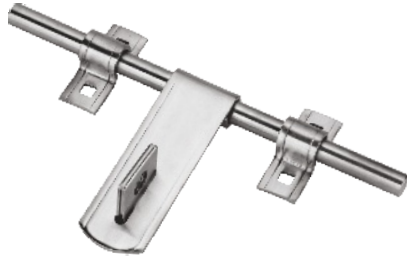
Code	Size	Pcs./Box	Box/Case	Pcs./Case	Price/Pc.
TTB6410	4"x10	12	20	240	130.00
TTB6610	6"x10	6	30	180	182.00
TTB6810	8"x10	6	20	120	234.00
TTB61210	12"X10	6	20	120	338.00



HALF ROUND FOOTBALL TOWER BOLT (10mm ROD)

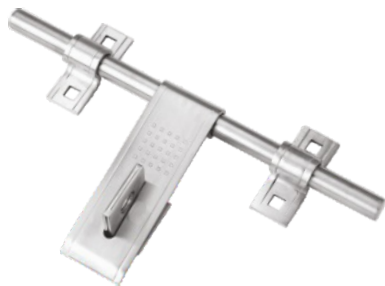
Code	Size	Pcs./Box	Box/Case	Pcs./Case	Price/Pc.
TTB7410	4"	12	20	240	112.00
TTB7610	6"	6	30	180	168.00
TTB7810	8"	6	20	120	224.00
TTB71010	10"	6	20	120	260.00
TTB71210	12"	6	20	120	312.00
TTB71810	18"	6	10	60	468.00





STRAIGHT AL-DROP (14mm)					
Code	Size	Pcs./Box	Box/Case	Pcs./Case	Price/Pc.
TLD6814	8" (2+1)	6	12	72	250.00
TLD61014	10" (3+1)	6	12	72	286.00
TLD61214	12" (3+1)	6	10	60	312.00

Note : Extra Nuckle for 30/- Extra Kunda for 40/-



DOTTED AL-DROP (14mm)					
Code	Size	Pcs./Box	Box/Case	Pcs./Case	Price/Pc.
TLD1814	8" (2+1)	6	12	72	250.00
TLD11014	10" (3+1)	6	12	72	286.00
TLD11214	12" (3+1)	6	10	60	312.00

Note : Extra Nuckle for 30/- Extra Kunda for 40/-



SLEEK AL-DROP (14mm)					
Code	Size	Pcs./Box	Box/Case	Pcs./Case	Price/Pc.
TLD2814	8" (2+1)	1	40	40	380.00
TLD21014	10" (3+1)	1	40	40	416.00
TLD21214	12" (3+1)	1	40	40	442.00

Note : Extra Nuckle for 30/- Extra Kunda for 70/-



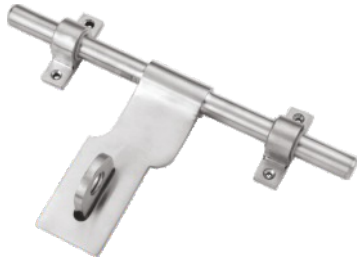
ROYAL AL-DROP (16mm)					
Code	Size	Pcs./Box	Box/Case	Pcs./Case	Price/Pc.
TLD3816	8" (2+1)	1	40	40	525.00
TLD31016	10" (3+1)	1	40	40	600.00
TLD31216	12" (3+1)	1	40	40	645.00

Note : Extra Nuckle for 60/- Extra Kunda for 90/-



SOLID STRAIGHT AL-DROP (16mm)					
Code	Size	Pcs./Box	Box/Case	Pcs./Case	Price/Pc.
TLD4816	8" (2+1)	1	40	40	610.00
TLD41016	10" (3+1)	1	40	40	715.00
TLD41216	12" (3+1)	1	40	40	740.00





SOLID BEND AL-DROP (16mm)

Code	Size	Pcs./Box	Box/Case	Pcs./Case	Price/Pc.
TLD5816	8" (2+1)	1	40	40	610.00
TLD51016	10" (3+1)	1	40	40	715.00
TLD51216	12" (3+1)	1	40	40	740.00

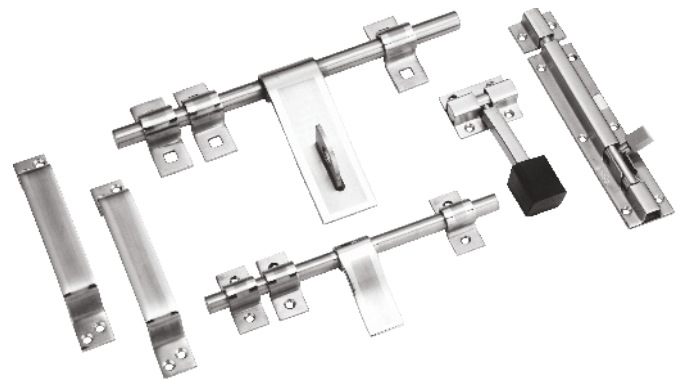
Note : Extra Nuckle for 70/- Extra Kunda for 90/-

DOOR KIT



- DOOR KIT 16MM ROYAL

MRP ₹ - 1350/-

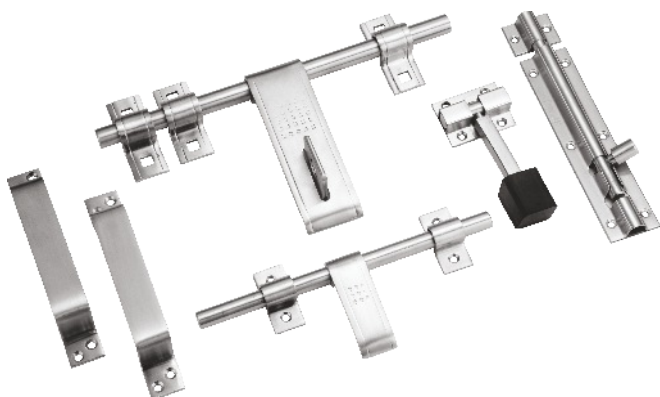


- DOOR KIT 16MM SLEEK

MRP ₹ - 1350/-

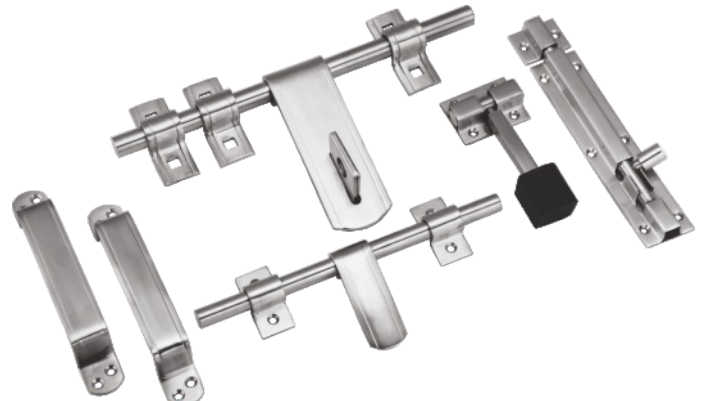
- DOOR KIT 14MM SLEEK

MRP ₹ - 1100/-



- DOOR KIT 14MM DOTTED

MRP ₹ - 850/-



- DOOR KIT 14MM STRAIGHT

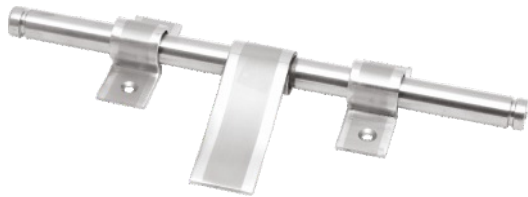
MRP ₹ - 850/-





DOTTED LATCH (12mm)

Code	Size	Pcs./Box	Box/Case	Pcs./Case	Price/Pc.
TLH18	8"	6	20	120	182.00
TLH110	10"	6	20	120	195.00
TLH112	12"	6	20	120	208.00



SLEEK LATCH (12mm)

Code	Size	Pcs./Box	Box/Case	Pcs./Case	Price/Pc.
TLH28	8"	6	20	120	195.00
TLH210	10"	6	20	120	208.00
TLH212	12"	6	20	120	220.00



ROYAL LATCH (12mm)

Code	Size	Pcs./Box	Box/Case	Pcs./Case	Price/Pc.
TLH38	8"	6	20	120	195.00
TLH310	10"	6	20	120	210.00
TLH312	12"	6	20	120	225.00



BABY LATCH HALF ROUND (12mm)

Code	Size	Pcs./Box	Box/Case	Pcs./Case	Price/Pc.
TLH43	3"	10	18	180	156.00



BABY LATCH HALF SQUARE (12mm)

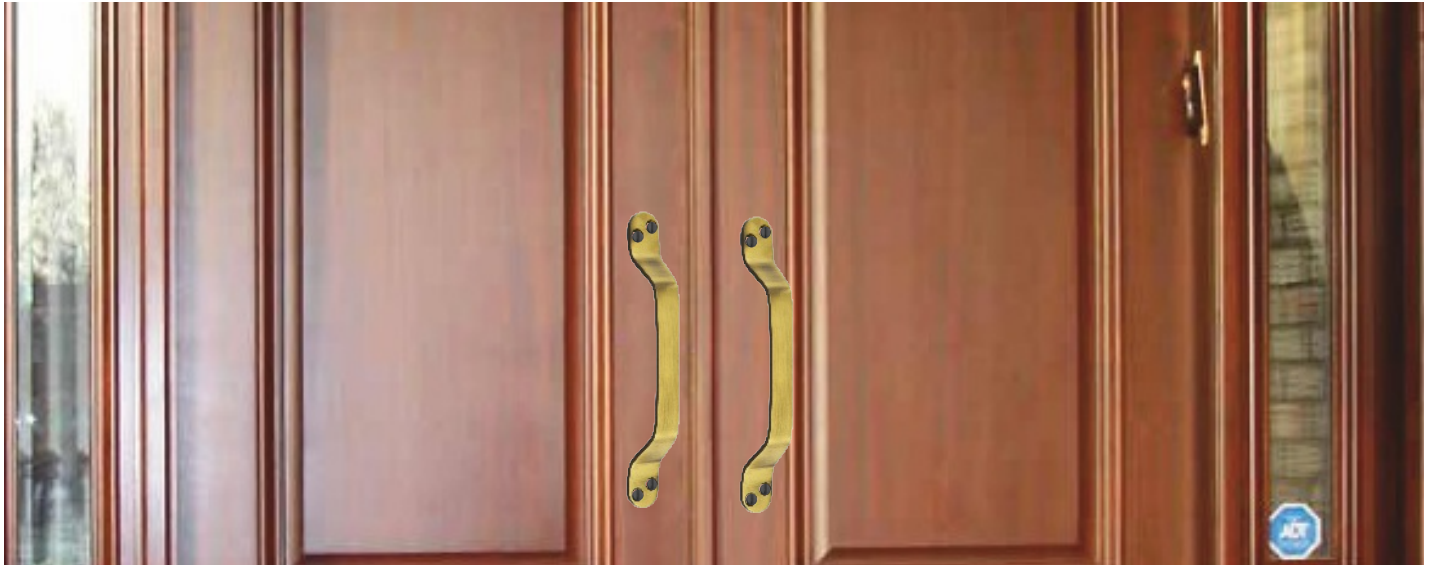
Code	Size	Pcs./Box	Box/Case	Pcs./Case	Price/Pc.
TLH53	3"	10	18	180	143.00



DUSTER BABY LATCH (2-in-1)

Code	Size	Pcs./Box	Box/Case	Pcs./Case	Price/Pc.
TLH63	3"	10	12	120	208.00
TLH64	4"	10	12	120	234.00





D HANDLE					
Code	Size	Pcs./Box	Box/Case	Pcs./Case	Price/Pc.
THDL14	4"x3.00mm	24	20	480	48.00
THDL15	5"x3.00mm	12	20	240	52.00
THDL16	6"x3.00mm	12	20	240	58.00
THDL18	8"x3.00mm	12	20	240	78.00



D HANDLE (Two Tone)					
Code	Size	Pcs./Box	Box/Case	Pcs./Case	Price/Pc.
THDL24	4"x3.00mm	24	20	480	65.00
THDL25	5"x3.00mm	12	20	240	72.00
THDL26	6"x3.00mm	12	20	240	78.00
THDL28	8"x3.00mm	12	20	240	98.00



STRAIGHT HANDLE MATT					
Code	Size	Pcs./Box	Box/Case	Pcs./Case	Price/Pc.
THDL64	4"x3.00mm	24	20	480	55.00
THDL65	5"x3.00mm	12	20	240	60.00
THDL66	6"x3.00mm	12	20	240	65.00
THDL68	8"x3.00mm	12	20	240	85.00



A-ONE HANDLE

Code	Size	Pcs./Box	Box/Case	Pcs./Case	Price/Pc.
THDL35	5"x3.00mm	12	20	240	65.00
THDL36	6"x3.00mm	12	20	240	72.00



ROYAL HANDLE (Two Tone)

Code	Size	Pcs./Box	Box/Case	Pcs./Case	Price/Pc.
THDL44	4"x3.00mm	24	20	480	75.00
THDL45	5"x3.00mm	12	20	240	82.00
THDL46	6"x3.00mm	12	20	240	90.00
THDL48	8"x3.00mm	12	20	240	115.00



B TWO HANDLE

Code	Size	Pcs./Box	Box/Case	Pcs./Case	Price/Pc.
THDL75	5"x400mm	12	20	240	96.00
THDL76	6"x400mm	12	20	240	120.00
THDL78	8"x600mm	12	20	240	148.00



SLEEK HANDLE

Code	Size	Pcs./Box	Box/Case	Pcs./Case	Price/Pc.
THDL55	5" x3.00mm	20	20	400	70.00
THDL57	7" x3.00mm	20	20	400	78.00



DOOR STOPPER



HALF SQUARE DOOR STOPPER (DOUBLE ROD)

Code	Size	Pcs./Box	Box/Case	Pcs./Case	Price/Pc.
TDS13	3"x10mm	8	20	160	125.00
TDS14	4"x12mm	8	20	160	208.00

SLEEK DOOR STOPPER (12mm)

Code	Size	Pcs./Box	Box/Case	Pcs./Case	Price/Pc.
TDS24	4" Single Leg	10	20	200	138.00
TDS25	5" Single Leg	10	20	200	195.00

DOOR SILENCER



DOOR SILENCER

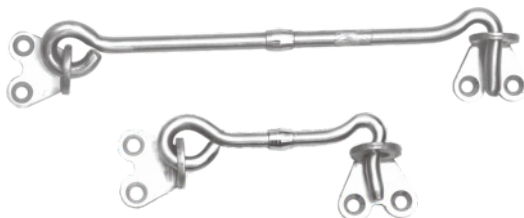
Code	Size	Pcs./Box	Box/Case	Pcs./Case	Price/Pc.
TDS3	3"	10	24	240	104.00

GATE HOOKS



GATE HOOK SQUARE

Code	Size	Pcs./Box	Box/Case	Pcs./Case	Price/Pc.
TGHS2	2"	48	20	960	36.00
TGHS25	2.5"	48	20	960	39.00
TGHS3	3"	24	20	480	47.00
TGHS4	4"	24	20	480	49.00
TGHS5	5"	24	20	480	52.00
TGHS6	6"	24	20	480	54.00



GATE HOOK ROUND

Code	Size	Pcs./Box	Box/Case	Pcs./Case	Price/Pc.
TGHR2	2"	48	20	960	36.00
TGHR25	2.5"	48	20	960	39.00
TGHR3	3"	24	20	480	42.00
TGHR4	4"	24	20	480	44.00
TGHR5	5"	24	20	480	47.00
TGHR6	6"	24	20	480	50.00

DOOR CHAIN



Also Available in



Antique

DOOR CHAIN

Code	Size	Pcs./Box	Box/Case	Pcs./Case	Price/Pc.
TDC	-	40	4	160	335.00

DOOR MAGNET



Also Available in



Antique

DOOR MAGNET (FAT LADY)

Code	Size	Pcs./Box	Box/Case	Pcs./Case	Price/Pc.
TDM1	4"	-	-	100	230.00

DOOR MAGNET (BELL)

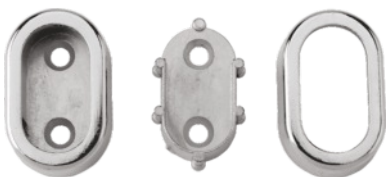
Code	Size	Pcs./Box	Box/Case	Pcs./Case	Price/Pc.
TDM2	3"	-	-	100	150.00

SS PIPE



STAINLESS STEEL WARDROBE RAIL (OVAL)

Code	Size	Packing	Price/Pc.
TSSR-O	30x15x3660MM (12') Oval	40 Pcs. / Bdl.	



WARDROBE RAIL (OVAL) BRACKET

Code	Size	Packing	Price/Pair.
TSSRA-1	15X30	500 Pair	130.00





MLC-01 NOTCH

Article No.	Description	Pair/case	SS	ANTIUE MATT/GLOSSY
MLC-01KY	8" KY Lock (Handle set + 6 Lever Lock Body 3 key)	12	1755/-	2115/-
MLC-01CY	8" CY Lock (Handle set + CY lock Body + 60mm OSK)	12	2795/-	3195/-



MLC-02 GLIDE

Article No.	Description	Pair/case	SS	ANTIUE MATT/GLOSSY
MLC-02KY	8" KY Lock (Handle set + 6 Lever Lock Body 3 key)	12	1885/-	2245/-
MLC-02CY	8" CY Lock (Handle set + CY lock Body + 60mm OSK)	12	2925/-	3325/-



MLC-03 OLA

Article No.	Description	Pair/case	SS	ANTIUE MATT/GLOSSY
MLC-03KY	8" KY Lock (Handle set + 6 Lever Lock Body 3 key)	12	1835/-	2195/-
MLC-03CY	8" CY Lock (Handle set + CY lock Body + 60mm OSK)	12	2890/-	3290/-

Plate Handle S.S 304



MLC-04 TILT				
Article No.	Description	Pair/case	SS	ANTIUE MATT/GLOSSY
MLC-04KY	8" KY Lock (Handle set + 6 Lever Lock Body 3 key)	12	1885	2245/-
MLC-04CY	8" CY Lock (Handle set + CY lock Body + 60mm OSK)	12	2925	3325/-



MLC-05 POLO				
Article No.	Description	Pair/case	SS	ANTIUE MATT/GLOSSY
MLC-05KY	8" KY Lock (Handle set + 6 Lever Lock Body 3 key)	12	1795	2155/-
MLC-05CY	8" CY Lock (Handle set + CY lock Body + 60mm OSK)	12	2835	3235/-



MLC-06 BLOW				
Article No.	Description	Pair/case	SS	ANTIUE MATT/GLOSSY
MLC-06KY	8" KY Lock (Handle set + 6 Lever Lock Body 3 key)	12	1785	2145/-
MLC-06CY	8" CY Lock (Handle set + CY lock Body + 60mm OSK)	12	2825	3225/-



MLR-01 KITE						
Article No.	Description	Pair/ case	SS	SILKY MATT ANTIQUÉ/ BLACK	GRAPHITE	GOLD/ ROSE GOLD
MLR-01	Handle On Rose With Key Hole	12	2925	3225	3525	4125



MLR-02 BANTA						
Article No.	Description	Pair/ case	SS	SILKY MATT ANTIQUÉ/ BLACK	GRAPHITE	GOLD/ ROSE GOLD
MLR-02	Handle On Rose With Key Hole	12	3055	3355	3655	4255



MLR-03 VOLGA						
Article No.	Description	Pair/ case	SS	SILKY MATT ANTIQUÉ/ BLACK	GRAPHITE	GOLD/ ROSE GOLD
MLR-03	Handle On Rose With Key Hole	12	3185	3485	3785	4385



MLR-04 ACTIVA						
Article No.	Description	Pair/ case	SS	SILKY MATT ANTIQUÉ/ BLACK	GRAPHITE	GOLD/ ROSE GOLD
MLR-04	Handle On Rose With Key Hole	12	3025	3325	3625	4225



MLR-05 PACIFIC

Article No.	Description	Pair/ case	SS	SILKY MATT ANTIQUÉ/ BLACK	GRAPHITE	GOLD/ ROSE GOLD
MLR-05	Handle On Rose With Key Hole	12	3125	3425	3725	4325



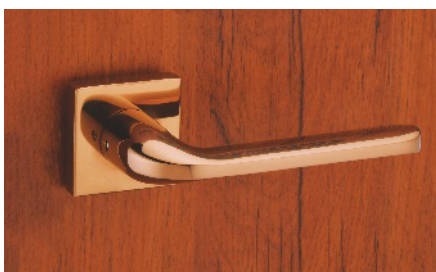
MLP-01 MAZDA

Article No.	Description	Pair/ case	SS	SILKY MATT ANTIQUÉ/ BLACK	GRAPHITE	GOLD/ ROSE GOLD
MLP-01	Handle On Rose With Key Hole	12	3625	3925	4225	4715



MLP-08 VERTEX

Article No.	Description	Pair/ case	SS	SILKY MATT ANTIQUÉ/ BLACK	GRAPHITE	GOLD/ ROSE GOLD
MLP-08	Handle On Rose With Key Hole	12	3655	3955	4255	4855



MLP-03 PULSAR

Article No.	Description	Pair/ case	SS	SILKY MATT ANTIQUÉ/ BLACK	GRAPHITE	GOLD/ ROSE GOLD
MLP-03	Handle On Rose With Key Hole	12	3555	3855	4155	4755

MORTISE HANDLES

Rose Handle S.S 304



MLP-04 SONET

Article No.	Description	Pair/ case	SS	SILKY MATT ANTIQUÉ/ BLACK	GRAPHITE	GOLD/ ROSE GOLD
MLP-04	Handle On Rose With Key Hole	12	3485	3785	4085	4685



MLP-05 ACCENT

Article No.	Description	Pair/ case	SS	SILKY MATT ANTIQUÉ/ BLACK	GRAPHITE	GOLD/ ROSE GOLD
MLP-05	Handle On Rose With Key Hole	12	3685	3985	4285	4825



MLP-06 BUTTER

Article No.	Description	Pair/ case	SS	SILKY MATT ANTIQUÉ/ BLACK	GRAPHITE	GOLD/ ROSE GOLD
MLP-06	Handle On Rose With Key Hole	12	3485	3945	4245	4785



MLP-07 ELECTRA

Article No.	Description	Pair/ case	SS	SILKY MATT ANTIQUÉ/ BLACK	GRAPHITE	GOLD/ ROSE GOLD
MLP-07	Handle On Rose With Key Hole	12	3555	3855	4155	4755



CYLINDERS & LOCK BODIES



SINGLE SOLID BOLT CY LOCK BODY				
Article No.	Size	Pcs/Box	Pcs/Case	Price/Pc
LB01-10	10"	1	20	910/-
LB01-08	8"	1	20	650/-



ROUND BULLET BOLT CY LOCK BODY				
Article No.	Size	Pcs/Box	Pcs/Case	Price/Pc
LB02	10"	1	20	780/-



ROLLING BULLET BOLT CY LOCK BODY				
Article No.	Size	Pcs/Box	Pcs/Case	Price/Pc
LB03	10"	1	20	1040/-



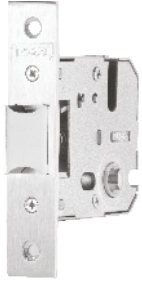
6 LEVER SINGLE SOLID BOLT KY LOCK BODY				
Article No.	Size	Pcs/Box	Pcs/Case	Price/Pc
LB04	Standard	1	20	470/-



Also Available in

- Rose Gold
- Gold
- Black
- Antique

Note : Add ₹ 150/- Body in List Price for any finish



LATCH BODY				
Article No.	Size	Pcs/Box	Pcs/Case	Price/Pc
LB11	Standard	1	50	470/-



BOTH SIDE ULTRA KEY				
Article No.	BSK60	BSK70	BSK80	BSK90
CYLINDER LENGTH	60 MM	70 MM	80 MM	90 MM
PRICE	700/-	755/-	830/-	910/-



ONE SIDE ULTRA KEY & ONE SIDE KNOB				
Article No.	OSK60	OSK70	OSK80	OSK90
CYLINDER LENGTH	60 MM	70 MM	80 MM	90 MM
PRICE	780/-	830/-	910/-	990/-



ONE SIDE COIN & ONE SIDE KNOB				
Article No.	OSC60	OSC70	OSC80	OSC90
CYLINDER LENGTH	60 MM	70 MM	80 MM	90 MM
PRICE	700/-	755/-	830/-	910/-

Also Available in



Note : Add ₹ 150/- Cylinder in List Price for any finish



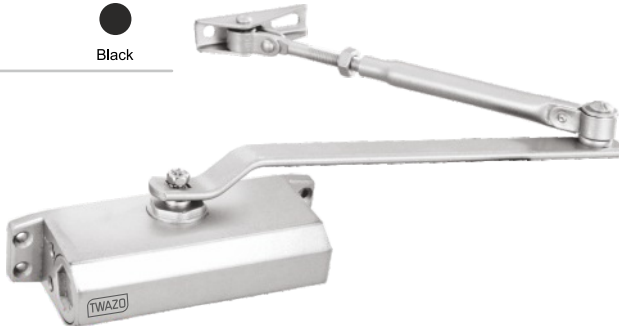


₹ 1145.00

TDC-51 (ECO DOOR CLOSER)

Features	
Technology	Rack & Pinnion
Closing Force (EN value)	EN:1-2
Maximum door width	850mm
Maximum door weight	40kg
Design	Reversible non-handed design
Power transmission	180-20 degrees
Latching speed range	20-0 degrees
Length	145mm
Width	38mm
Height	55mm

Also Available in



₹ 1185.00

TDC-61 (CLASSIC DOOR CLOSER)

Features	
Technology	Rack & Pinnion
Closing Force (EN value)	EN:2-3
Maximum door width	1000mm
Maximum door weight	60kg
Design	Reversible non-handed design
Power transmission	180-20 degrees
Latching speed range	20-0 degrees
Length	178mm
Width	41mm
Height	63mm



₹ 1885.00

TDC-71 (SLEEK DOOR CLOSER)

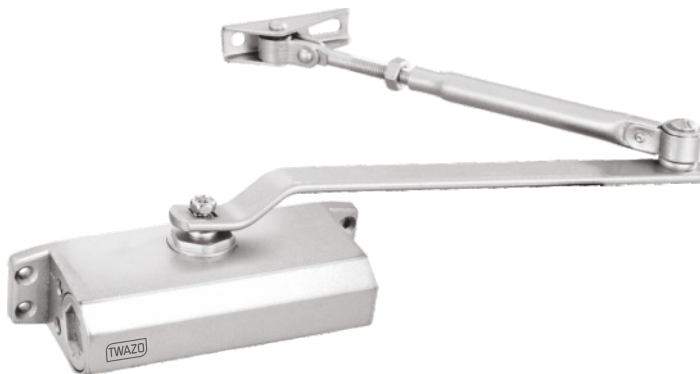
Features	
Technology	Rack & Pinnion
Closing Force (EN value)	EN:2-3
Maximum door width	1000mm
Maximum door weight	60kg
Design	Reversible non-handed design
Power transmission	180-15 degrees
Latching speed range	15-0 degrees
Length	218mm
Width	53mm
Height	45mm



₹ 3865.00

TDC-81 (PELMET ARM DOOR CLOSER)

Features	
Technology	Rack & Pinnion
Closing Force (EN value)	EN:2-3
Maximum door width	900mm
Maximum door weight	60kg
Design	Reversible non-handed design
Power transmission	180-15 degrees
Latching speed range	15-0 degrees
Length	195mm
Width	38mm
Height	50mm



₹ 2360.00

TDC-111 (JUMBO DOOR CLOSER)

Features	
Technology	Rack & Pinnion
Closing Force (EN value)	EN:2-3
Maximum door width	1200mm
Maximum door weight	85 kg
Design	Reversible non-handed design
Power transmission	180-20 degrees
Latching speed range	20-0 degrees
Length	205mm
Width	44mm
Height	68mm

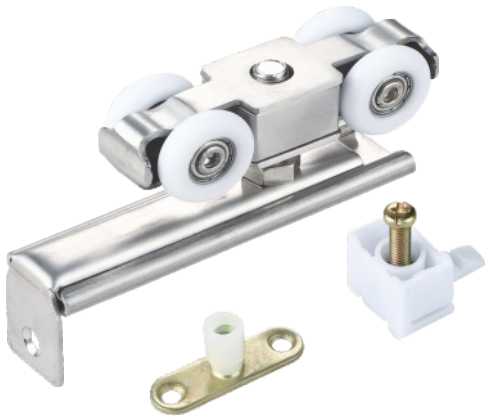


₹ 3685.00

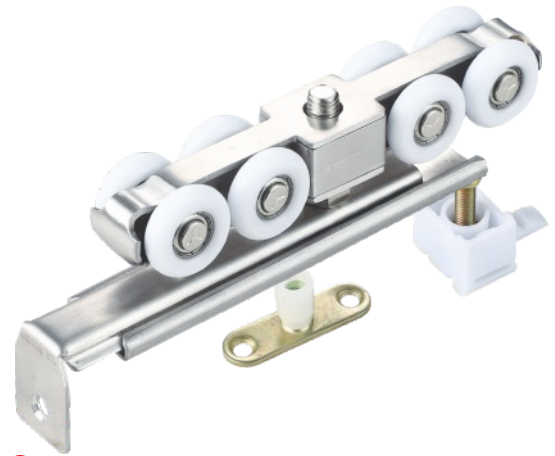
TDC-91 (CONCEALED DOOR CLOSER)

Features	
Technology	Rack & Pinnion
Closing Force (EN value)	EN:2-3
Maximum door width	900mm
Maximum door weight	60 kg
Design	Reversible non-handed design
Power transmission	180-15 degrees
Latching speed range	15-0 degrees
Length	230mm
Width	31mm
Height	55mm

WOODEN DOOR SLIDING FITTINGS



TSD-4W
Four Wheel Sliding Door Set
Compatible with Track TST-02
₹ 900/Set

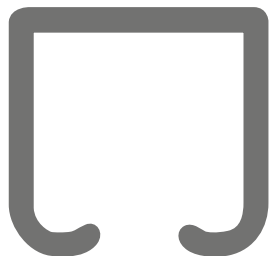


TSD-8W
Eight Wheel Sliding Door Set
Compatible with Track TST-02
₹ 1190/Set

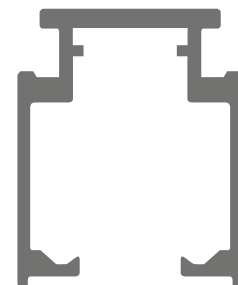


TSD-SC
Soft Close Sliding Wheel Door Set
Compatible with Track TST-03
₹ 3640/Set

**SOFT
CLOSE**



TST-02
Sliding Track
Compatible with TSD-4W & TSD-8W
₹ 200/Feet



TST-03
Sliding Track
Compatible with TSD-SC
₹ 280/Feet



FURNITURE

FITTINGS





35 kg
Load Capacity

STAINLESS STEEL DRAWER SLIDE

Code	Size	Pair/Box	Price/pair
TTC-10SS	10" (250mm)	10	561.00
TTC-12SS	12" (300mm)	10	612.00
TTC-14SS	14" (350mm)	10	714.00
TTC-16SS	16" (400mm)	10	816.00
TTC-18SS	18" (450mm)	10	918.00
TTC-20SS	20" (500mm)	10	1020.00
TTC-22SS	22" (550mm)	10	1122.00
TTC-24SS	24" (600mm)	10	1224.00



35 kg
Load Capacity

SOFT CLOSE STAINLESS STEEL DRAWER SLIDE

Code	Size	Pair/Box	Price/pair
TTC-10SSSC	10" (250mm)	10	830.00
TTC-12SSSC	12" (300mm)	10	915.00
TTC-14SSSC	14" (350mm)	10	995.00
TTC-16SSSC	16" (400mm)	10	1080.00
TTC-18SSSC	18" (450mm)	10	1165.00
TTC-20SSSC	20" (500mm)	10	1260.00
TTC-22SSSC	22" (550mm)	10	1350.00
TTC-24SSSC	24" (600mm)	10	1435.00



125 kg
Load Capacity

BED CHANNEL

HEAVY DUTY BED SLIDE

Code	Size	Pair/Box	Price/pair
TTC-20HD	20" (500mm)	5	1640.00
TTC-24HD	24" (600mm)	5	1945.00
TTC-30HD	30" (750mm)	5	2430.00
TTC-36HD	36" (900mm)	5	2915.00



45 kg
Load Capacity

Also Available in
● Black

PLATINUM DRAWER SLIDE (45 KG)

Code	Size	Pair/Box	Price/pair
TTC-8Z	8" (200mm)	10	220.00
TTC-10Z	10" (250mm)	10	260.00
TTC-12Z	12" (300mm)	10	312.00
TTC-14Z	14" (350mm)	10	364.00
TTC-16Z	16" (400mm)	10	416.00
TTC-18Z	18" (450mm)	10	468.00
TTC-20Z	20" (500mm)	10	520.00
TTC-22Z	22" (550mm)	10	572.00
TTC-24Z	24" (600mm)	10	624.00
TTC-30Z	30" (750mm)	10	780.00
TTC-36Z	36" (900mm)	10	936.00



35 kg
Load Capacity

Also Available in
● Black

SUPREME DRAWER SLIDE (35 KG)

Code	Size	Pair/Box	Price/pair
TTC- 8 ZLTE	8"(200mm)	10	239.00
TTC- 10 ZLTE	10"(250mm)	10	279.00
TTC- 12 ZLTE	12"(300mm)	10	319.00
TTC- 14 ZLTE	14"(350mm)	10	359.00
TTC- 16 ZLTE	16"(400mm)	10	399.00
TTC- 18 ZLTE	18"(450mm)	10	429.00
TTC- 20 ZLTE	20"(500mm)	10	449.00



45 kg
Load Capacity

PUSH TO OPEN DRAWER SLIDE

Code	Size	Pair/Box	Price/pair
TTC-20PO	20"(500mm)	10	920.00



REGULAR AUTO CLOSE HINGES

Code	Crank	Pair/Case	Price/pair
TACH-00	0	100	96.00
TACH-08	8	100	96.00
TACH-15	15	100	96.00

REGULAR AUTO CLOSE HINGES (SS)

Code	Crank	Pair/Case	Price/pair
TACH-00 SS	0	100	176.00
TACH-08 SS	8	100	176.00
TACH-15 SS	15	100	176.00



SLIDE ON HINGE

Code	Crank	Pair/Case	Price/pair
TSC-SO-00	0	100	189.00
TSC-SO-08	8	100	189.00
TSC-SO-15	15	100	189.00

SLIDE ON HINGE SS

Code	Crank	Pair/Case	Price/pair
TSC-SO-00SS	0	100	209.00
TSC-SO-08SS	8	100	209.00
TSC-SO-15SS	15	100	209.00

SOFT
CLOSE



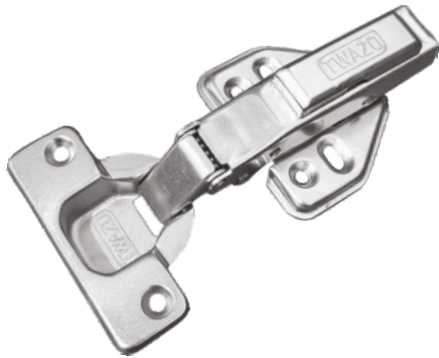
165° CABINET HINGE

Code	Crank	Pcs./Case	Price/Pc.
TSC-165	0	50	380.00

SOFT
CLOSE

Specification:

Manufactured from high grade steel for longevity
 Clip on mechanism for easy installation and removal of shutters
 Provides ease in maintenance of cabinet
 Wide opening angle for easy storage in cabinet
 Nickle plated for corrosion resistance
 Shutter cavity: Ø 35mm, 11.5mm deep



2D Clip-ON HINGE (MS)

Code	Crank	Pair/Case	Price/pair
TSC2D-00	0	100	220.00
TSC2D-08	8	100	220.00
TSC2D-15	15	100	220.00

2D Clip-ON HINGE (SS)

Code	Crank	Pair/Case	Price/pair
TSC2D-00SS	0	100	350.00
TSC2D-08SS	8	100	350.00
TSC2D-15SS	15	100	350.00

2D Clip-ON HINGE (SS 304)

Code	Crank	Pair/Case	Price/pair
TSC-SO-00	0	100	420.00
TSC-SO-08	8	100	420.00
TSC-SO-15	15	100	420.00



3D Clip-ON HINGE (MS)

Code	Crank	Pair/Case	Price/pair
TSC3D-00	0	100	350.00
TSC3D-08	8	100	350.00
TSC3D-15	15	100	350.00

3D Clip-ON HINGE (SS)

Code	Crank	Pair/Case	Price/pair
TSC3D-00SS	0	100	420.00
TSC3D-08SS	8	100	420.00
TSC3D-15SS	15	100	420.00

Specifications:

Equipped With Concealed Synchronised Full Extension Slide.
 Tool Free Front Assembly.
 2 Dimensional Function Adjustment Up/Down Left/Right.
 Soft Close for Silent & Effortless closing Action
 Load Capacity upto 35 kg.



TANDEM BOX

Code	Size	Set/case	Price/Set
TDB-2004G	500mm	6	2850.00
TDB-2006G	500mm	6	3350.00
TDB-2008G	500mm	6	3750.00



SLIM DRAWER BOX

Code	Size	Set/case	Price/Set
TSDB-2004	500mm	6	3280.00
TSDB-2006	500mm	6	3680.00
TSDB-2008	500mm	6	4000.00
TSDB-2010	500mm	4	4320.00



LIFT-UP PUMP SOFT CLOSE

Code	Capacity	Pair / Case	Price / Pair
TGP-05 SC	5 Kg	50 Set	440/-
TGP-10 SC	10 Kg	50 Set	450/-
TGP-15 SC	18 Kg	50 Set	460/-

LIFT-UP PUMP

Code	Capacity	Pair / Case	Price / Pair
TGP-05	5 Kg	50 Set	250/-
TGP-10	10 Kg	50 Set	260/-
TGP-15	15 Kg	50 Set	270/-
TGP-20	20 Kg	50 Set	280/-
TGP-25	25 Kg	50 Set	290/-
TGP-30	30 Kg	50 Set	300/-
TGP-35	35 Kg	50 Set	310/-

WARDROBE SLIDING FITTING



TSD-WD01
Wardrobe sliding wheel set
(with soft close damper 4 pcs)
₹ 2810/Set

Upper track



Lower track

TST-01
Top/Bottom track for TSD-WD01
Available in 8' & 13'
₹ 300/Feet

Great functionality

- 2 way soft close for the top
- High-grade soft closing systems

Superior performance

- Weight carrying capacity of 50 kg
- Rollers on top and bottom for more steady movement & better adjustment

Sturdy

- Door thickness from 16 mm to 25mm

Easy to install

- No grooving required to fit the tracks on to the cabinet
- No measurements required to install tracks and hardware
- Simple and intuitive parts for easy installation
- Quick and easy tool less adjustment and locking

Durable

- Tested for 30,000 cycles

Adaptable

- Height adjustment of up to 13 mm
- Track lengths available: 8' & 13'

Great Aesthetics

- Super slim top track - only 14 mm height

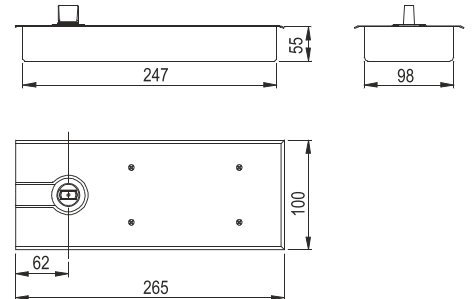
**SOFT
CLOSE**



GLASS

ARCHITECTURAL HARDWARE





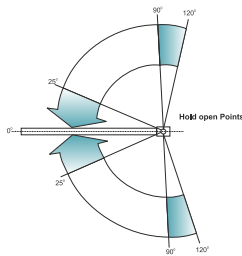
Specification

General design, suitable for left or right hand to open the door in single and both sides.
 Closing force-19nm.
 Maximum wide door leaf-900mm.
 Maximum bearing weight-80kgs
 Speed covering control-two stage adjustable speed.
 Location-90° hold open
 Cover plate finish : SSS

TFS-65

Single Spring Floor Hinge

₹ 3070/-



TFS-84

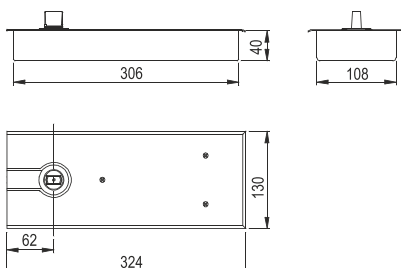
Double Spring Floor Hinge

₹ 5175/-

TFS-84 With TP/BP

₹ 5590/-

Also Available in



Specification

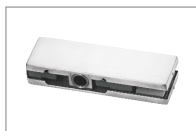
General design, suitable for left or right hand to open the door in single and both sides.
 Closing force-25nm.
 Maximum wide door leaf-1200mm.
 Maximum bearing weight-100-130kgs
 Speed covering control-two stage adjustable speed.
 Location-90° hold open
 Cover plate SS 304
 Cover plate finish : SSS

COMBO PATCH SET

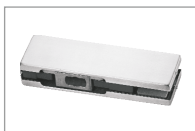
Also Available in



TFS-65



TPF-10



TPF-20



TDH-02



TPL-10

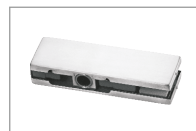


TPDP

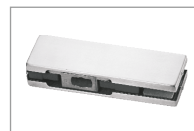
T-65 TBLHP (Set Of 6 Pieces)
₹ 8550/-



TFS-65



TPF-10



TPF-20

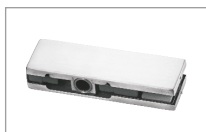


TPDP

T-65 TBP (Set Of 4 Pieces)
₹ 5430/-



TFS-84



TPF-10



TPF-20



TDH-02



TPL-10



TPDP

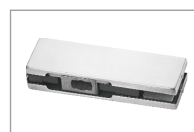
T-84 TBLHP (Set Of 6 Pieces)
₹ 10660/-



TFS-84



TPF-10



TPF-20



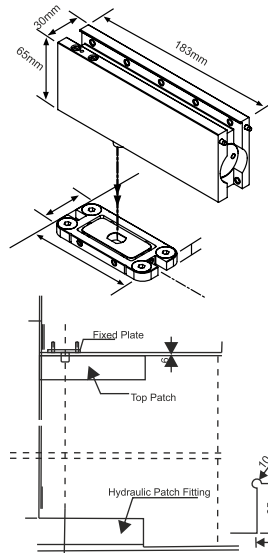
TPDP

T-84 TBP (Set Of 4 Pieces)
₹ 7540/-

Maximum open degree Left side 150° Right side 150°
 90° Hold- Open Function
 Closing Speed 150°- 10°
 Buffering Speed 10°- 0°
 Adjustment can be individually
 Hold open at 90°



THFS-100
 Hydraulic Floor Hinge
 ₹ 8450.00



Available Finish

- Satin Stainless Steel
- Polish Stainless Steel

Technical Details

- ☑ About 5 Lakh cycles tested
- ☑ Maximum door width 1000mm
- ☑ Maximum door weight 90kgs
- ☑ Dimension : 183x30x65mm
- ☑ Ambient temperature 20°C~+50°C
- ☑ Quick and easy installation
- ☑ The design no need drill/hole on the floor, making installation easier.
- ☑ Opening Lightly, Close Smoothly



PATCH FITTINGS



TPF-10
 Top Patch
 ₹ 1090.00



TPF-20
 Bottom Patch
 ₹ 1090.00



TPF-30
 Wall Mounted Over Panel Patch
 with Pivot (Over Panel)
 ₹ 1460.00



TPF-40
 Over Panel Side Panel Connecting
 Patch with Pivot (Big L)
 ₹ 1820.00



TPL-10
 Corner Patch Lock with Strike Plate
 ₹ 2000.00



TPF-610
 Over Panel Side Panel
 Patch Connector
 (Small L)
 ₹ 1460.00



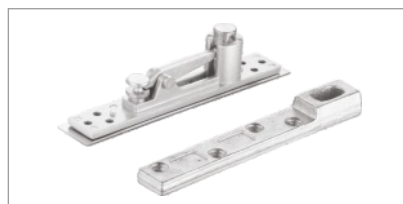
TPF-640
 Wall to Glass Connecting Patch
 ₹ 570.00



TPF-650
 Glass to Glass Connecting Patch
 with Wall/Ceiling
 ₹ 675.00



TGDP
 Top Pivot
 for Patch Fittings Doors
 ₹ 185.00



TP/BP
 Top Pivot/Bottom Pivot
 for Wooden/Aluminium Doors
 ₹ 415.00



THRDS
 Half Round Door Stopper
 ₹ 195.00

Also Available in

-  Rose Gold
-  Gold
-  Black

SHOWER HINGES

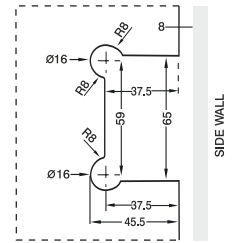
SS 304

Specification:

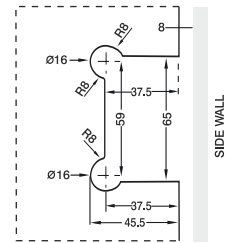
Material: SS 304
 Door Thickness: 8mm-12mm
 Weight Capacity: 45kg
 Finish: Chrome Plated



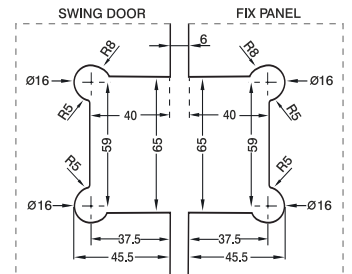
TSH-111 H/P
 Wall to Glass 90° Off Set Hinge
 ₹ 1750.00



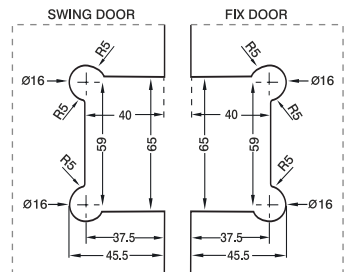
TSH-111
 Wall to Glass 90° Hinge
 ₹ 1750.00



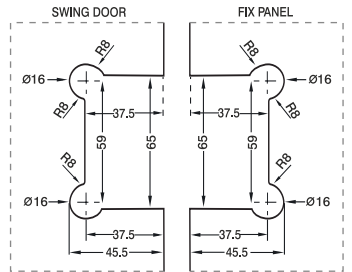
TSH-222
 Glass to Glass 180° Hinge
 ₹ 2925.00



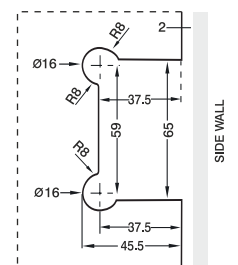
TSH-333
 Glass to Glass 135° Hinge
 ₹ 2925.00



TSH-444
 Glass to Glass 90° Hinge
 ₹ 3120.00



TSH-555
 Wall to Glass 90° Fix Bracket
 ₹ 1625.00



Also Available in



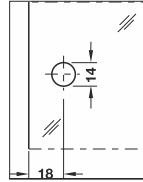
Specification:

Material: SS 304
 Door Thickness: 8mm-12mm
 Weight Capacity: 45kg
 Finish: Chrome Plated



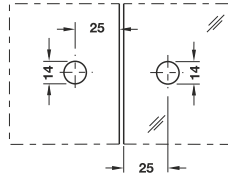
TGC-1
U Connector

₹ 275.00 (4mm)
₹ 235.00 (3mm)



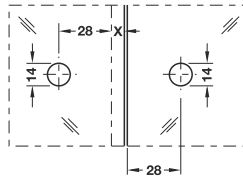
TGC-2
Glass to Glass 135°

₹ 415.00 (4mm)
₹ 350.00 (3mm)



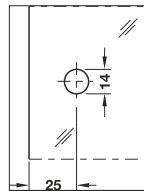
TGC-3
Glass to Glass 90°

₹ 415.00 (4mm)
₹ 350.00 (3mm)



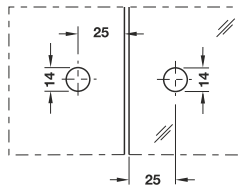
TGC-4
L Connector

₹ 325.00 (4mm)
₹ 260.00 (3mm)



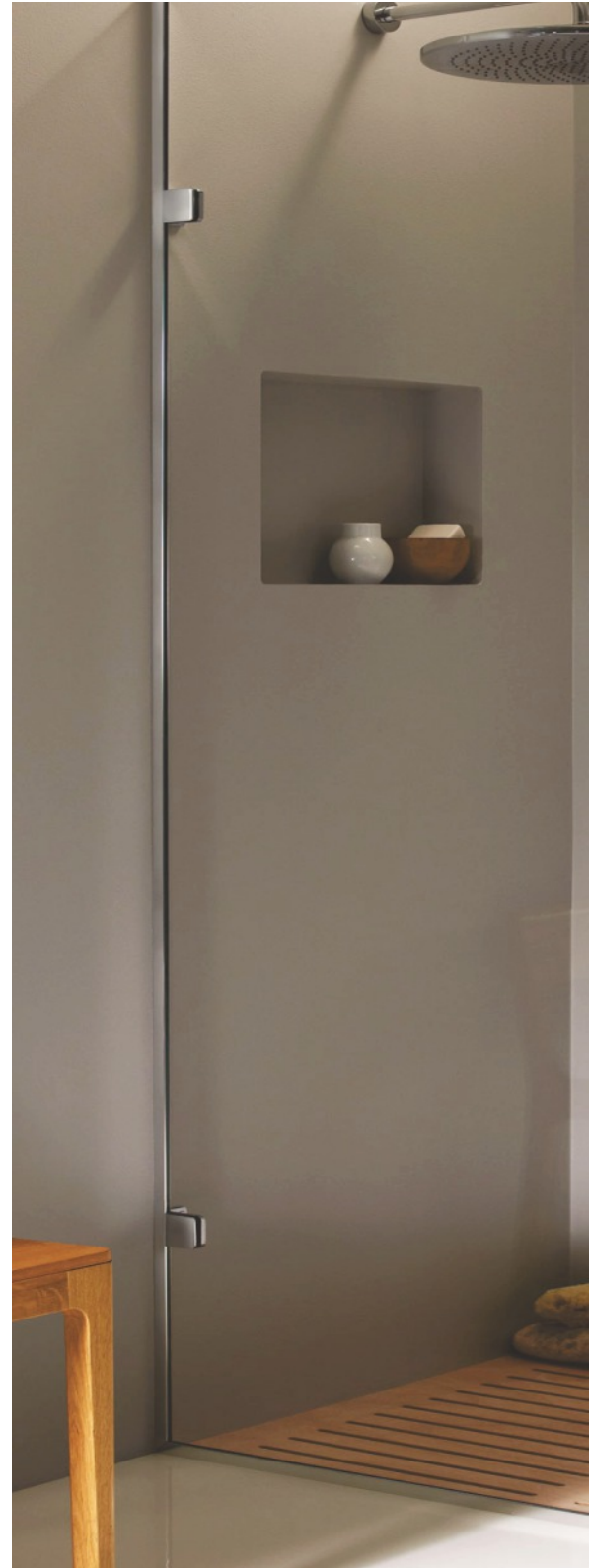
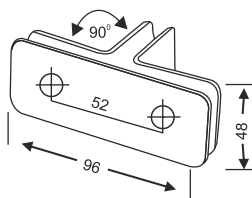
TGC-5
Glass to Glass 180°

₹ 415.00 (4mm)
₹ 350.00 (3mm)



TGC-6
Glass to Glass 90°

₹ 545.00 (4mm)
₹ 455.00 (3mm)



Also Available in



Round Series (SS 304 / Brass)



TKH-1 ₹ **325.00**
Wall to Rod (Dia 19mm)



TKH-2 ₹ **365.00**
Rod to Glass (Dia 19mm)



TKH-3 ₹ **635.00**
Rod to Rod (Dia 19mm)



TKH-4 ₹ **415.00**
Rod to Glass (One Side Blind)



TKH-5 ₹ **495.00**
Rod to Rod T Connector (Dia 19mm)



TKH-ACC-19 ₹ **275.00** (Per Ft.)
Reinforcing Rod (Dia 19mm)

Square Series (SS304) Dia 25mm



TKH-11 ₹ **455.00**
Wall to Rod (Dia 25mm)



TKH-22 ₹ **495.00**
Rod to Glass (Dia 25mm)



TKH-33 ₹ **885.00**
Rod to Rod (Dia 25mm)



TKH-44 ₹ **600.00**
Rod to Glass (One Side Blind)



TKH-55 ₹ **885.00**
Rod to Rod T Connector (Dia 25mm)



TKH-ACC-25x25 ₹ **405.00** (Per Ft.)
Connecting Track



TKH-111 ₹ **455.00**
Wall to Track



TKH-222 ₹ **470.00**
Track to Glass



TKH-333 ₹ **910.00**
Track to Track Connector



TKH-ACC-10x30 ₹ **325.00** (Per Ft.)
Connecting Track

Also Available in





TSL-11-A1
Roller

Shower Sliding System Set

TSL-11-A1 - 2 Big Rollers, 2 Small Rollers

TSL-11-A2 - 2 Track to Glass Holder

TSL-11-A3 - 2 Stopper

TSL-11-A4 - 1 Floor Guide

TSL-11-A5 - 2 Wall to Track Connector

TSL-HN-50 - 1 Sliding Round Handle

₹ 9620.00



TSL-11-A2
Track to Glass Holder



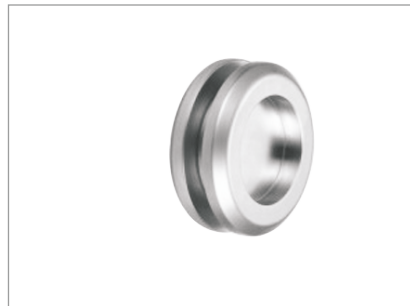
TSL-11-A3
Stopper



TSL-11-A4
Floor Guide



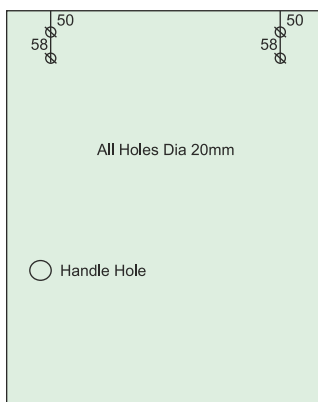
TSL-11-A5
Wall to Track Connector



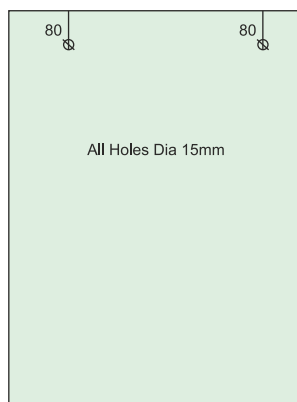
TSL-HN-50
Sliding Handle (Dia 50mm)



TKH-ACC-10/30 ₹ 325.00 (Per Ft.)
Connecting Track (Available in 1.5 Mt, 1.8 Mt & 2.1 Mt)



Door



Fixed Panel





TSL-44-A1 (Set)
 Roller (S.S.)
 TSL-44-A1 - 2 Rollers
 TSL-44-A3 - 2 Stopper
 TSL-44G - 1 Floor Guide

₹ 2730.00



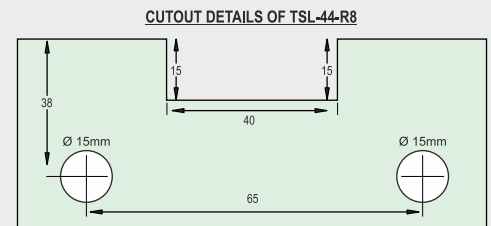
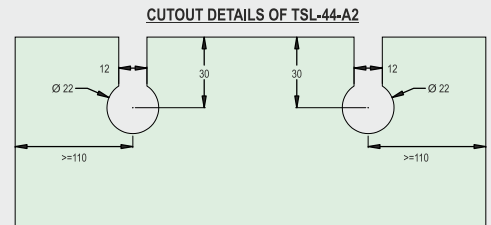
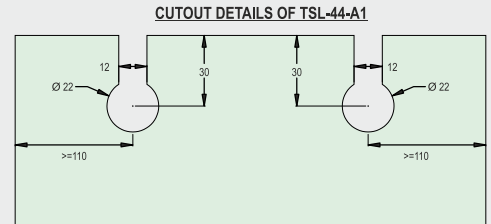
TSL-44-A2 (Set)
 Roller (Brass/SS)
 TSL-44-A2 - 2 Rollers
 TSL-44-A3 - 2 Stopper
 TSL-44G - 1 Floor Guide

₹ 4030.00



TSL-44-R8 (Set)
 8 Wheel Rectangular Roller (S.S.)
 TSL-44-R8 - 2 Rollers
 TSL-44-A3 - 2 Stopper
 TSL-44G - 1 Floor Guide

₹ 2200.00



TSL-44-A3 ₹ 235.00
 Stopper



TSL-44-A5 ₹ 310.00
 Wall to Track Clamp



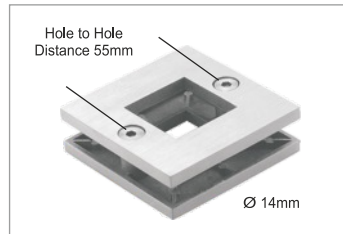
TSL-44-A6 ₹ 455.00
 Glass to Track Clamp



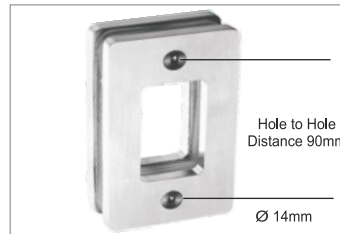
TSL-HN-50 ₹ 980.00 (H)
 Sliding Handle ₹ 650.00 (L)



TSL-HN-60 ₹ 1040.00
 (Hollow) Sliding Handle



TSL-HN-70 ₹ 1275.00
 Sliding Handle (Square)



TSL-HN-80 ₹ 1450.00
 Sliding Handle (Rectangle)



TSL-HN-10 ₹ 1690.00
 Sliding Handle (Rectangle)



TSL-44G ₹ 325.00
 Floor Guide



TSL-44-B1 ₹ 390.00 (Per Ft.)
 Aluminium Track (Single)
 Available in 8,10 & 13 Ft.

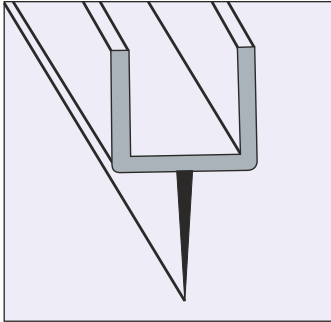


TSL-44-B2 ₹ 650.00 (Per Ft.)
 Aluminium Track (Double Door)
 Available in 8,10 & 13 Ft.

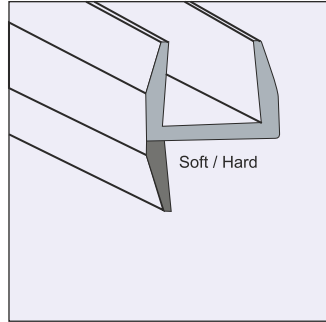


TSL-44-B3 ₹ 495.00 (Per Ft.)
 Aluminium Track (Door+Fix Glass)
 Available in 8,10 & 13 Ft.

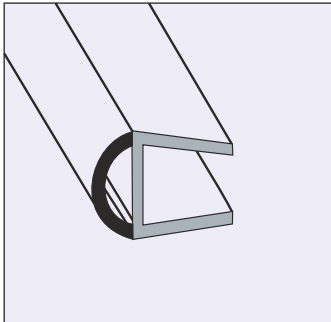
* FINISH : Transparent



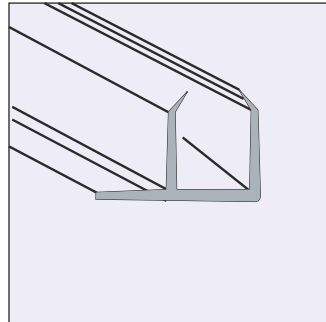
TPS-2 Centre Seal		
8mm	(2.2mtr.)	₹ 205.00
10mm	(2.2mtr.)	₹ 205.00
12mm	(2.2mtr.)	₹ 230.00



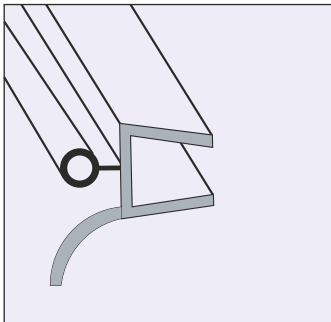
TPS-3 Side Seal		
8mm	(2.2mtr.)	₹ 205.00
10mm	(2.2mtr.)	₹ 205.00
12mm	(2.2mtr.)	₹ 230.00
12mm	(2.5mtr.)	₹ 230.00



TPS-4 D Seal		
8mm	(2.2mtr.)	₹ 205.00
10mm	(2.2mtr.)	₹ 205.00
12mm	(2.2mtr.)	₹ 230.00
12mm	(2.5mtr.)	₹ 230.00

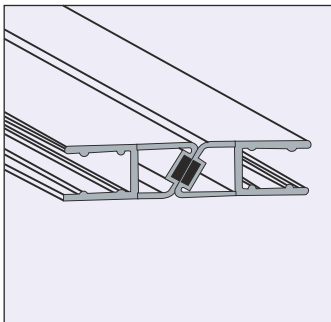


TPS-6 Sliding Door Seal		
8mm	(2.2mtr.)	₹ 205.00
10mm	(2.2mtr.)	₹ 205.00
12mm	(2.2mtr.)	₹ 230.00
12mm	(2.5mtr.)	₹ 230.00

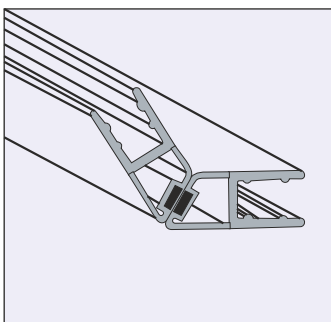


TPS-7 Water Dispersion Seal		
8mm	(2.2mtr.)	₹ 310.00
10mm	(2.2mtr.)	₹ 310.00

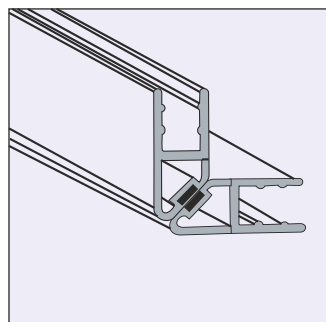
Magnetic Profiles



TPS-M1 180°		
8mm	(2.2mtr.)	₹ 910.00
10mm	(2.2mtr.)	₹ 910.00
10mm	(2.5mtr.)	₹ 1105.00
12mm	(2.2mtr.)	₹ 1105.00



TPS-M2 135°		
8mm	(2.2mtr.)	₹ 910.00
10mm	(2.2mtr.)	₹ 910.00
10mm	(2.5mtr.)	₹ 1105.00
12mm	(2.2mtr.)	₹ 1105.00



TPS-M3 90°		
8mm	(2.2mtr.)	₹ 910.00
10mm	(2.2mtr.)	₹ 910.00
10mm	(2.5mtr.)	₹ 1105.00
12mm	(2.2mtr.)	₹ 1105.00

LOCKS WITHOUT CUTOUT



SLIDING DOOR LOCK



TLK-01 ₹ 1430.00
Double Door Lock
(Only Key)



TLK-02 ₹ 1170.00
Single Door Lock
(Only Key)



TLK-03 ₹ 1560.00
Double Door Lock
(Key & Knob)



TLK-04 ₹ 1300.00
Single Door Lock
(Key & Knob)



TLK-07 ₹ 1495.00
Double Door Lock
(Key & Knob)



TLK-08 ₹ 1225.00
Single Door Lock
(Key & Knob)



TSDL-13A+13C ₹ 6500.00
Sliding Door Lock
with Strike Plate



TSDL-13A+13B ₹ 9100.00
Sliding Door Lock
with Strike Box



TLK-13 ₹ 1430.00
Double Door Lock
(Only Knob)



TLK-14 ₹ 1170.00
Single Door Lock
(Only Knob)

ROUND D-HANDLE



TDH-01

Size	₹/Per Pair
25x302x327	910.00
32x450x482	1460.00

ROUND H-HANDLE



TDH-02

Size	₹/ Per Pair
25x240x325	910.00
32x302x457	1365.00
32x455x600	1640.00
32x600x900	2275.00
32x900x1200	2912.00
32x1200x1500	3640.00

S-HANDLE



TDH-03

Size	₹/Per Pair
32x302x457	1640.00

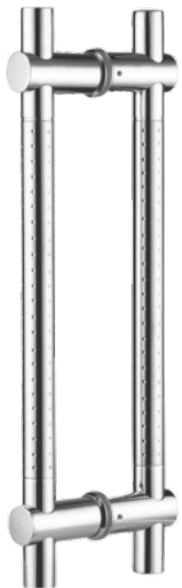
SQUARE D-HANDLE



TDH-04

Size	₹/Per Pair
25/25x302x327	1640.00
30/30x450x480	2000.00

DOTTED H-HANDLE



TDH-05

Size	₹/Per Pair
25x200x325	1665.00
32x302x457	2230.00
32x455x600	2800.00

OVAL WOOD HANDLE



TDH-06

Size	₹/Per Pair
25/45x302x450	2685.00

ACRYLIC HANDLE



TDH-07

Size	₹/Per Pair
32x302x480	3120.00
32x450x600	3510.00

WOOD SS HANDLE

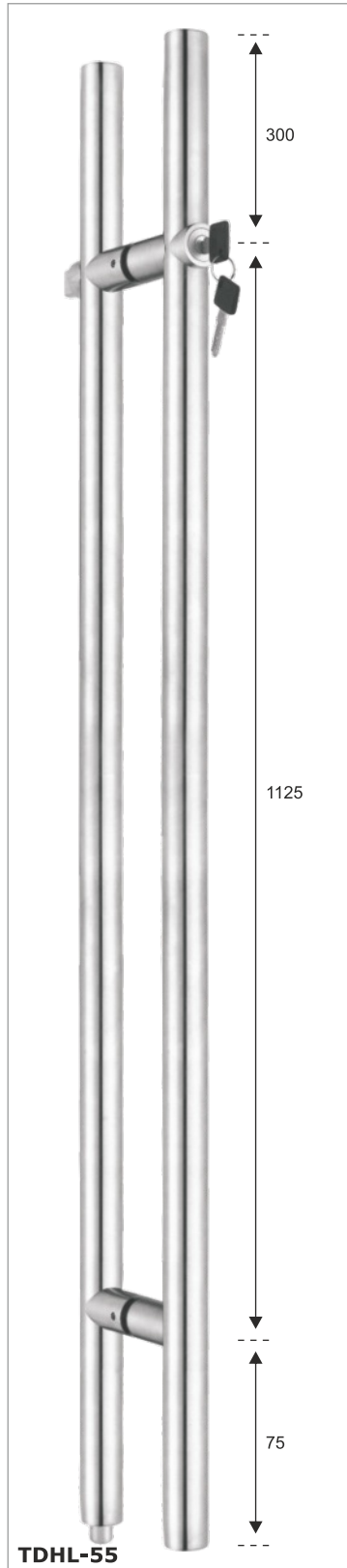


TDH-08

Size	₹/Per Pair
38/25x302x450	2710.00

DOOR HANDLES

TOWEL BAR HANDLES



TDHL-55

Size	₹/Per Pair
35x1500	14300.00



TDH-TB-01

SIZE	₹/ Per Pair
19x152x457CC (SS 304)	1365.00
25x152x457CC (SS 202)	1325.00



TDH-TB-02

SIZE	₹/ Per Pair
15/30x152x457 (SS 202)	1560.00



TDH-TB-03 (WITH KNOB)

SIZE	₹/ Per Pair
19x152x457CC (SS 304)	1690.00
25x152x457CC (SS 304)	2080.00

DOOR KNOBS



TDK-1
₹ 455.00



TDK-2
₹ 455.00



TDK-3
₹ 455.00

FRICTION STAY HINGE



Size	Pcs./Box	₹/ Per Pair
8" (2mm)	50	254.00
10" (2mm)	50	273.00
12" (2mm)	50	299.00
14" (2mm)	50	325.00
16" (2.5mm)	40	442.00
18" (2.5mm)	40	494.00
20" (3mm)	25	735.00
24" (3mm)	25	832.00

UPCOMING NEXT
WARDROBE SHUTTER PROFILE



SLIM PARTITION PROFILE





WHY CHOOSE TWAZO



Serving Industry Since 2008



Life Time Function Warranty



Quality Check



CE Certification



ISO 9001 : 2015



GEM Approved Vender



Customer Satisfaction Score 9.5



Pan India Presence

An ISO 9001 2015 Certified Company

TWITS HARDWARE CORPORATION

G-211, Sector-3, DSIDC
Bawana Industrial Area, New Delhi - 110039
Website: www.twazo.in
Email: info@twazo.in

Prices are subject to change without prior notice.
Product photo show in catalogue are only the visual and may be differ from original.
Please refer the original product for toughen glass cutout.